

T2000SD LONG RANGE ALIGNMENT LASER

TUNNELING LASER • MINING LASER • OFFSHORE DREDGING LASER
CONVEYER ALIGNMENT LASER • CENTERLINE CONTROL LASER

THE LONG RANGE SOLUTION



T-2000SD FEATURES

T-2000SD

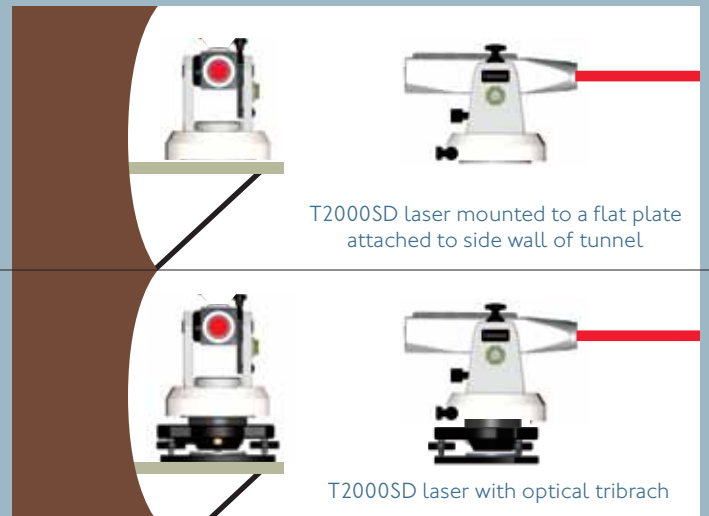
- The T-2000 is a heavy-duty “building block” design built for the rigors of the toughest construction environments. The T-2000 may be added to from its basic configuration, depending on the needs of your particular job or application.
- The T-2000 laser beam is fixed focused to infinity. This provides the smallest possible spot over the longest possible distance.
- High power. 5 Milliwatts of power assures you of more range to target area, even in adverse weather or when shooting through a series of forward targets.
- Ultra-fine horizontal and vertical fine adjust with 64 pitch thread for fast and precise alignment on your set-ups.
- Very stable; once set in place, the T-2000 stays on your forward target!
- T-2000 is designed to accept a tribrach. This is especially beneficial when “leap frogging” to forward points in tunnel work.
- In tunnel work, the T-2000 has three times the range (laser spot brilliance and quality) thus reducing the need to move the laser forward.
- In marine work, it translates to much greater visibility in adverse weather conditions.

T-2000SDG ULTRA BRIGHT GREEN LASER

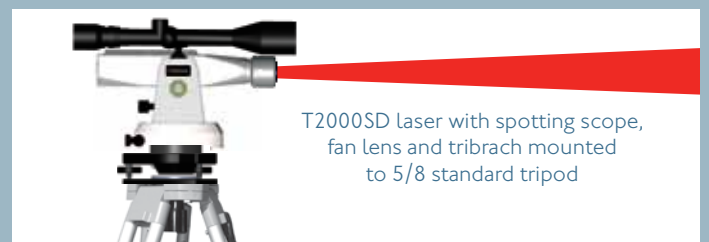
- All the same great features of the T-2000SD plus its 3-5 times more visible to the eye. Contact Laserline for details.

TYPICAL CONFIGURATIONS

TUNNELING / MINING



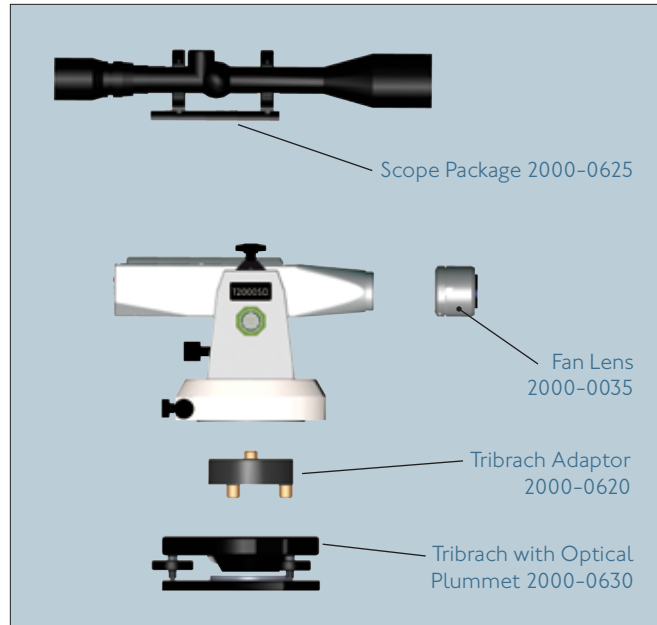
MARINE & OUTDOOR ALIGNMENT



ACCESSORIES



T-2000SD shown with Spotting Scope 2000-0525, Optical Plummet Tribrach 2000-0630, Adapter 2000-0620



T-2000SD components: Spotting Scope 2000-0525, Fan Lens 2000-0035, Adapter 2000-0620, Optical Plummet Tribrach 2000-0630

Spotting Scope 6-24x 2000-0525

Variable power from 6-24x objective diameter is 40mm. Field of view varies at 100 yards from 17 feet to 4 feet depending on power setting. Ring mounts are satin chrome steel finish for rust free operation in wet conditions. Use with the T-2000 Series lasers.

Fan Lens 2000-0035

Changes laser beam from a spot to a vertical plane of laser light. The fan lens expands the laser beam in the vertical direction at 1320 feet per mile while maintaining the horizontal width expansion at 4 inches per mile. Use with T-2000 Series lasers.

Universal Tunnel Mount 2000-10

An ultra solid, yet versatile multi-positioning platform for all models of lasers. The mount gives you the ability to both horizontally and vertically position the laser to the pre-determined point that you require. In addition to offering tremendous versatility for your laser positioning, it is very rugged and stable.

Power Converter 1140

Converts 110 or 220 VAC to 12 VDC. Internally protected from short circuits and overloads. Resets automatically – no fuses or circuit breakers. Use with all models.

Optical Plummet Tribrach 2000-0630

Features universal 5/8 x 11 base plate thread. The range of the optical plummet is 1.5 feet to 50 feet. (0.5m to 15m). The circular level vial has a sensitivity of 10 minutes (2mm). Use with 2000-0620 adapter for the T-2000 Series lasers.

LASER SPOT SIZE CHART

DISTANCE	DIAMETER	DISTANCE	DIAMETER
500' (152m)	0.8" (2.0cm)	2000' (610m)	1.7" (4.3cm)
1000' (305m)	1.1" (2.8cm)	2500' (762m)	2.0" (5.1cm)
1500' (457m)	1.4" (3.6cm)	5280' (1609m)	4.0" (10.2cm)

NOTE: Atmospheric conditions can reduce the working range of the laser by distorting and/or apparently enlarging the laser spot at distance. For "line and grade" applications, in good conditions, 2,000 feet (610 meters) is about the maximum range. For center line control, using a fan lens, out to four miles (6,436 meters) or more is not uncommon.

T-2000SD SPECIFICATIONS

Laser	635nm Class IIIA
Power	5mW (nominal)
Operating Temperature	0°/120°F (-18°/+50°C)
Storage Temperature	-40°/+150°F (-40°/+65°C)
Power	10-14 VDC at 1.5 Amps Per Hour
Telescope	6 to 24x (optional)
Optical Plummet	2.0 (optional)

Leveling Base	3 Screw Tribrach (optional)
Height	6.75" (17cm)
with tribrach	9.5" (24 cm)
with tribrach and scope	11.25" (28 cm)
Length	9.5" (24 cm)
Width	5.5" (14 cm)
Shipping Weight	29 lb (13.2 kg)

